



Creating healthy spaces

ENJOY THE SUN WHILE BEING PROTECTED!

Algarve®

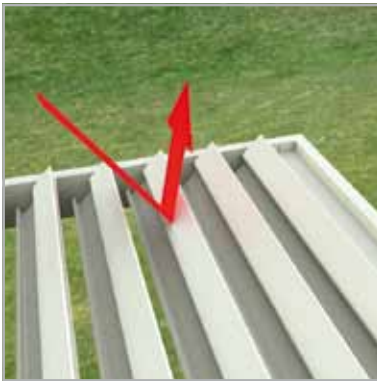
- Terrace covering with a horizontal sunprotection roof system
- Adjustable sunprotection and ventilation with rotating aluminium blades
- Elegant and slim design
- Unique dimensions: up to 24 m²
- Suitable for all building styles
- Durable, high-quality materials



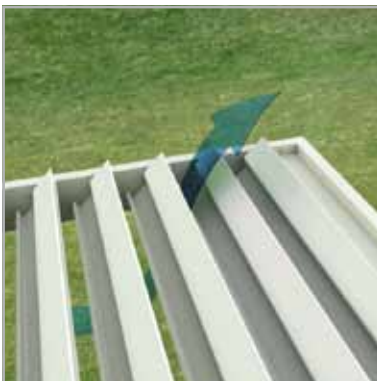
OUTDOOR LIVING



In open position: adjustable sunprotection and ventilation



Sunprotection



Ventilation



Waterproof blades

Extend the Summer!

This simple and practical terrace covering offers a sunprotection roof system based on rotating blades.

The extruded aluminium blades rotate up to 150° and thus enable you to decide how much sunprotection and/or ventilation you require.

When closed, the blades form a waterproof roof. A gutter system drains the rainwater away towards the columns.

Given its elegant and light design and availability in the full range of RAL colours, the Algarve® fits in with any building style: contemporary, traditional or modern.

The Algarve® forms part of the RENSON® Healthy Outdoor Concept®.

The Healthy Outdoor Concept® offers comfort at 3 levels:

- A supply of fresh air and protection against the wind and rain ensuring **physical comfort**.
- The wind and sunprotection prevents overheating and cooling, thus ensuring **thermal comfort**.
- The front and sides can be closed off by means of mobile translucent elements, thus offering comfort as a result of **visual contact** with the environment.





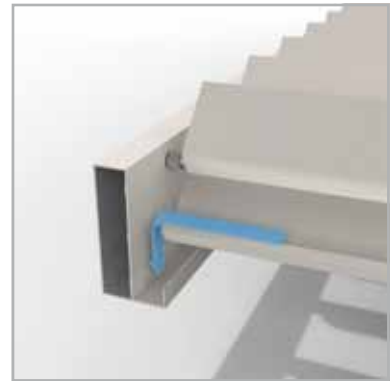
In closed position: the waterproof blades offer a beautiful, even and smooth finish below

Product Benefits

- The rotating blades provide sunprotection and ensure the necessary cooling and ventilation.
- The furniture underneath the blades is also protected, even when the blades are opened up after a rain shower; the blades are designed in such a way that the water is drained sideways.
- The Algarve® includes a gutter which drains the water away from the blades into the columns.
- User-friendly
- Quiet operation
- High-quality finish
- Easy maintenance due to durable materials
- Can be combined with our Beam® fitted with Heat® and Sound®

Applications

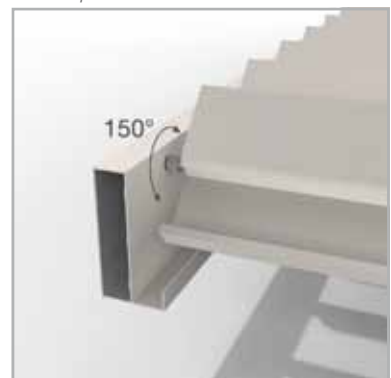
- Private homes
- Business premises, e.g. catering establishments
- Building projects: rest homes, offices, schools, etc.
- Newbuild and renovation



Gutter



Controlled water drainage when rotating slat is opened



150° rotation



Enjoy your outside space in safety!



Stand-alone (4 columns)



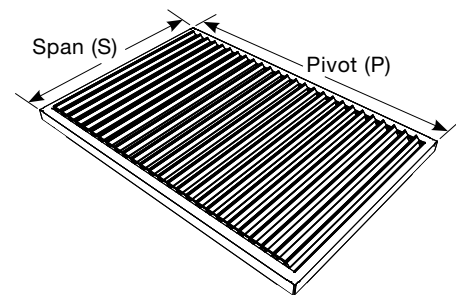
Fitted to an outside wall (2 columns)



Built into an existing opening

TECHNICAL SPECIFICATIONS

- Dimensions
 - Max. S 4000 mm x P 6045 mm
 - Pivot (P) depending on blade pitch
 - Max. height 3000 mm
 - 0° inclination
- Colours
 - Available in all RAL colours
 - Powder-coated (60-80 micron)
- Operation
 - Manual or electrical
- Snow load
 - Up to 70 kg/m²
- Wind resistance
 - Up to 120 km/h for closed blades



Come and discover our Healthy Outdoor Concept® product range on www.renson.eu

RENSON® reserves the right to make technical changes to the products shown.
The latest brochures may be downloaded from www.renson.eu

RENSON® Export Department • Tel. +32 (0)56 62 71 11 • export@renson.net
RENSON® Sunprotection-Screens NV • IZ 1 Flanders Field • Kalkhoevestraat 45 • B-8790 Waregem
Tel. +32 (0)56 62 65 00 • Fax +32 (0)56 62 65 09 • export@renson.net • www.renson.eu

